

AHD Side Camera - CT-AHDID-01/02



Description:



Our High Quality AHD (Analog High Definition) Colour Near & Off Side camera, uses the latest CMOS technology, the camera can produce high definition image with little distortion.

Analog High Definition is a high video definition standard transferred through a coaxial cable. It uses analog modulation technology to transfer progressive-scan HD Video signal. AHD systems are same as traditional analog system, using common 75-3 coaxial cable to carry the signal as far as 500 meters without any video signal loss.

Specifications:

Model	CT-AHDSC-01/02
Pick up Device	1/4" CMOS Sensor AR0141
TV System	PAL
Picture Elements	1280(H)*720(V)
Effective pixels	1.0M pixels
Day-night mode	External control (default) / Auto / color / black and white
Infrared Spectrum	850nm
S/N Ratio	More than 50 dB, (AGC Off)
Auto Gain Control	Auto
White Balance	Auto
Electronic Shutter	AUTO/ 1/50 (1/60) -1/100,000sec
Back Light Compensation	Auto
Infrared LED	12 LEDs
Infrared LED Range	8 m
Video output	1 Vp-p, 75Ω composite, 4 ways Din jack x1
Audio Output	N/A
Mirror	N/A
Power Consumption	170mA
Lens	Standard f2.1mm Fixed Megapixel Lens
Lens Mount	M12XP0.5mm Thread
Power Supply	12V DC ±10%
Dimensions(L x W x H)	76.4 x 60.5 x 56mm
Net Weight	203g
Weatherproof	IP67
Operating Temperature	-10°C to +50°C

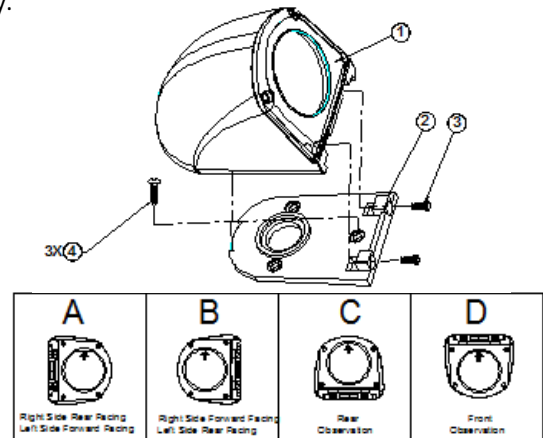
**Specifications are subject to change without prior notice.
Input voltage exceeding the nominal rating by over +/-10% will cause abnormal operation.
Note: This camera needs to connect to MDVR or DVR that supports AHD (Analog High Definition) system.*

Caution:

1. In order to protect the camera, please avoid placing or using the camera under direct sunlight.
2. Please ensure that the input voltage range is within the specifications.
3. Please do not place the camera in a location with a temperature exceeding 50°C.
4. Do not attempt to service the camera by yourself, please refer all servicing to qualified Dealers.

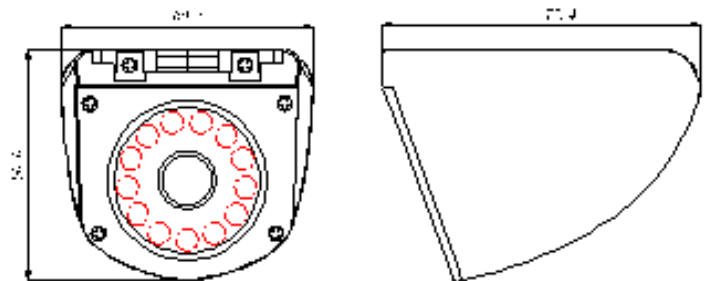
Operation procedures:

1. Loosen the lock screws (3) with hex key supplied, remove the mounting base (2) from the camera (1).
2. Place the mounting base (1) on the panel ensuring the camera vision is not impaired and secure using the supplied mounting screws (4).
3. Connect the 4 way male din jack to the female jack on the extension cable
4. Fix the camera to the mounting plate (3) using the Hex Key.

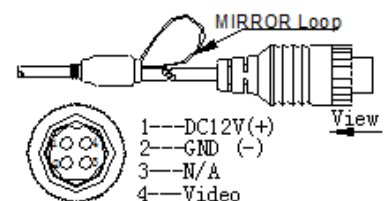


Dimensions:

(The front picture shown A orientation)



Connections:



Camera Telematics Ltd

3rd Floor Unit 1 Airside Building, Boeing Ave,
Airport Business Park, Co. Waterford, Ireland
0818 222 014



Camera Telematics UK Ltd
Unit 4a, Kingfisher Court,
Newbury, Berkshire, UK RG14 5SJ
0333 577 5373