

# AHD Forward Facing Camera- CT-AHDF-01



**Description:** High resolution, 1.3 Megapixel, 960P

Our High Quality AHD (Analog High Definition) Colour Forward Facing camera, uses the latest CMOS technology, the camera can produce high definition image with little distortion.

Analog High Definition is a high video definition standard transferred through a coaxial cable using analog modulation technology to transfer progressive-scan HD Video signal. AHD systems are same as traditional analog system, using common 75-3 coaxial cable to carry the signal as far as 500 meters without any video signal loss.

## Specifications:

Model	CT-AHDF-01
Pick up Device	1/4" CMOS Sensor AR0141
TV System	PAL
Picture Elements	1280(H)*720(V)
Effective pixels	1.3M pixels
Day-night mode	External control (default) / Auto / color / black and white
Infrared Spectrum	850nm
S/N Ratio	More than 50 dB, (AGC Off)
Auto Gain Control	Auto
White Balance	Auto
Electronic Shutter	AUTO/ 1/50 ( 1/60 ) -1/100,000sec
Back Light Compensation	Auto
Infrared LED	12 LEDs
Infrared LED Range	8 m
Video output	1 Vp-p, 75Ω composite ,4 ways Din jack x1
Audio Output	N/A
Mirror	N/A
Power Consumption	170mA
Lens	Standard f3.6mm Fixed Megapixel Lens
Lens Mount	M12XP0.5mm Thread
Power Supply	12V DC ±10%
Dimensions(L x W x H)	53.8X40X55mm
Net Weight	260g
Weatherproof	IP66
Operating Temperature	-10°C to +50°C

*\*Specifications are subject to change without prior notice.*

Input voltage exceeding the nominal rating by over +/-10% will cause abnormal operation.

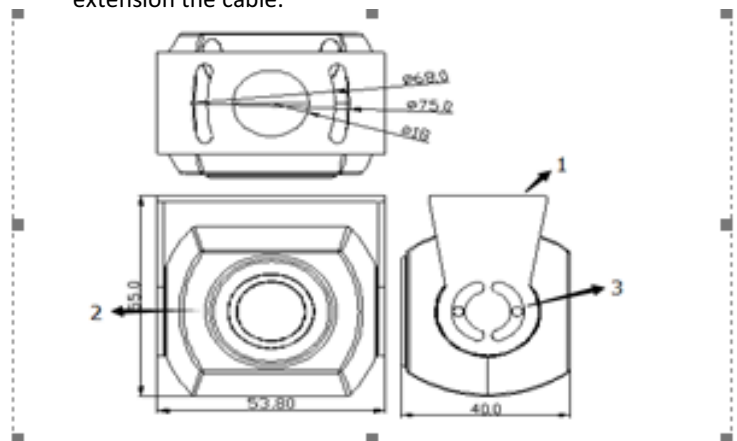
Note: This camera needs to connect to MDVR or DVR that supports AHD (Analog High Definition) system.

## Caution:

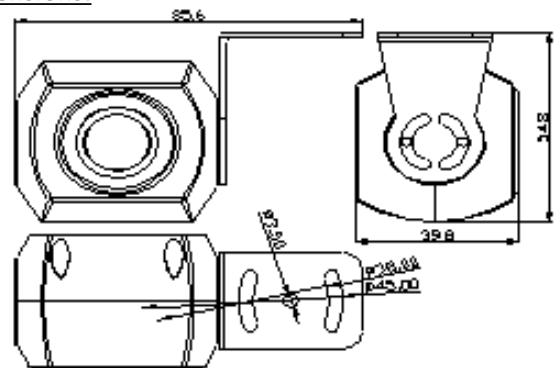
1. In order to protect the camera, please avoid placing or using the camera under direct sunlight.
2. Please ensure that the input voltage range is within the specifications.
3. Please do not place the camera in a location with a temperature exceeding 50°C.
4. Do not attempt to service the camera by yourself, please refer all servicing to qualified Dealers.

## Operation procedures:

1. Loosen the lock screws (3)
2. Place the mounting base (1) On the Vehicle panel, ensure the vision is not impaired and attach the base with the supplied mounting screws.
3. Connect the 4 way male din jack to the female jack on extension the cable.



## Dimensions:



## Connections:

